

# WENDY SOFT WRITING TABLET CHAIR Design Diemmebi R&D



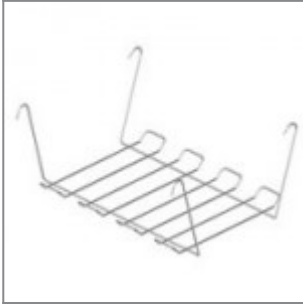
## ACCESSORIES



Service trolley for chairs, complete with castors



Long linking device for 2 arms chair and writing tablet

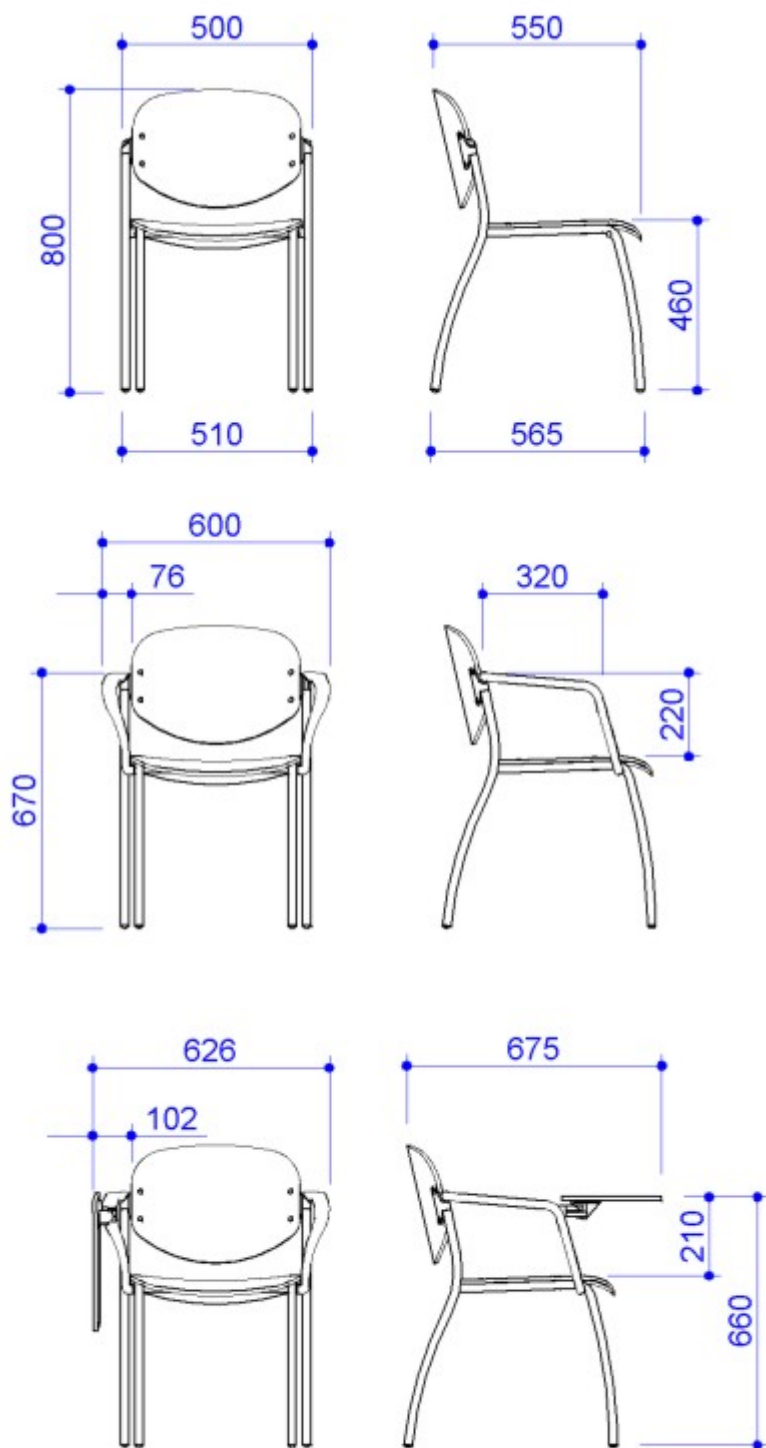


Black metal basket



Short linking device for chair or 1 arm and writing tablet

## DIMENSIONS



Le dimensioni sono espresse in millimetri (mm) e devono essere considerate esclusivamente ad uso informativo.

All dimensions are indicated in millimetres (mm) and they must be considered only as a product information.