

laKENDÒ NET WRITING TABLET CASTOR Design Angelo Pinaffo



The family of seating “LaKendo” is designed to offer an adaptable system for multifunctional uses. The wide range of configuration gives the seat a natural versatility for working, community, studying/learning, entertainment and contract spaces. The innovation in concept and constructive solutions guarantee a high level of comfort and the respect of ergonomics parameters as well as a high level in strength for a prolonged use. The design is essential but looks carefully to every single detail. The metal frame has a peculiar section’s profile which makes the seat more resistant and supports others specific features. Its multifunctional uses enable several easy configurations: with polypropylene, padded and upholstered seat and back or back in mesh. The frame is set for arms, tip-up seat, wheels and supports sled and bench versions. Among the accessories is available the tablet for both arms. The family is completed by a wide range of customisation in finishes and colours. The seats are both horizontally and vertically stackable for a rational use of space also in configurations with writing tablet and frame with wheels.

FINISHES

ARMREST



Window Grey - RAL 7040



Jet Black - RAL 9005



Cobalt Blue - RAL 5013



Pantone - 7530C

SUPPORTS



Window Grey - RAL 7040

BACK

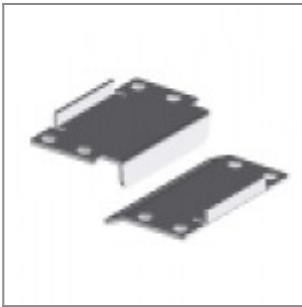


Window Grey - RAL 7040



Jet Black - RAL 9005

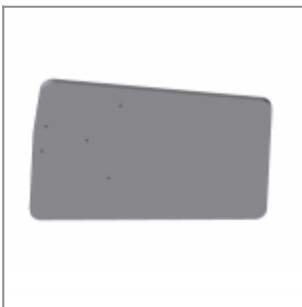
ACCESSORIES



Black painted male and female linking device for laKendò chair with arms



Black painted pin/support for laKendò writing tablet, right facing the chair



Black HPL writing tablet for left handed people (to be assembled only to the mechanism ZASN30A90)



Black back laKendò with black mesh assembled



Grey back laKendò with grey mesh assembled

DIMENSIONS

