

# VOLÉE EASY SOFT TIP-UP BENCH Design Angelo Pinaffo



## EXCLUSIVE DISTRIBUTION.

Designed by the company's R&D department in collaboration with designer Angelo Pinaffo, its key elements are strength and endurance, a performance achieved through the use of a reliable high-density stacking frame. The EASY SOFT versions are based on the use of an upholstered seat and a polypropylene backrest. This game of colours, materials and design, together with a huge variety of metal frames, make VOLÉE EASY SOFT the ideal seating for any public environment.

## FINISHES

### ARMREST

---



Window Grey - RAL 7040

### BACK

---



Signal White - RAL 9003

Jet Black - RAL 9005

Window Grey - RAL 7040

## SEAT

---



Jet Black - RAL 9005



Signal White - RAL 9003



Window Grey - RAL 7040

## ACCESSORIES



Aluminium painted metal arm insert for tip-up bench laMia



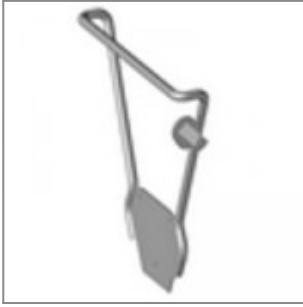
Black painted metal arm insert for tip-up bench laMia



Left handed alum.paint.insert arm for tip-up bench laMia, with pin for writing tablet



Left handed black paint.insert arm for tip-up bench laMia, with pin for writing tablet



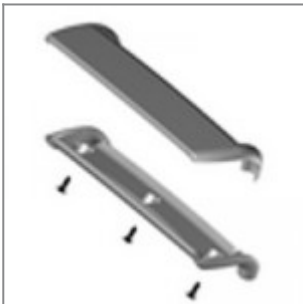
Right handed alum. paint. insert arm for tip-up bench laMia, with pin for writing tablet



Right handed black paint. insert arm for tip-up bench laMia, with pin for writing tablet



Plastic grey Ral 7040 laMia pad for armrest



Plastic black laMia pad for armrest



Right-hand antipanic joint for writing tablet modd. ZATV10P90, ZATV10L06



Left-hand antipanic joint for writing tablet modd. ZATV10P90, ZATV10L06

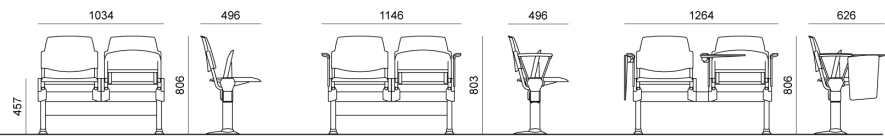


Left/Right-hand antipanic writing tablet in black ABS, suitable with ZASN10P90, ZASN20P90

## DIMENSIONS

**VOLÉE** PLASTIC | NET PLASTIC | EASY SOFT | SOFT | NET SOFT . Design Angelo Pinaffo

**DIEMMEBI**<sup>®</sup>



PANCA RIBALTABILE | TIP-UP BENCH