

VOLÉE NET PLASTIC BENCH Design Angelo Pinaffo



EXCLUSIVE DISTRIBUTION.

Designed by the company's R&D department in collaboration with designer Angelo Pinaffo, its key elements are strength and endurance, a performance achieved through the use of a reliable high-density stacking frame. VOLÉE NET features a comfortable mesh back, as well as many frame options and accessories, to become the ideal solution for all public spaces.

FINISHES

BACK



Jet Black - RAL 9005

SEAT



Window Grey - RAL 7040

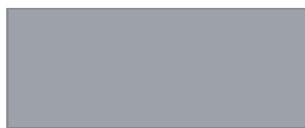
Jet Black - RAL 9005

Signal White - RAL 9003

SUPPORTS



Signal White - RAL 9003

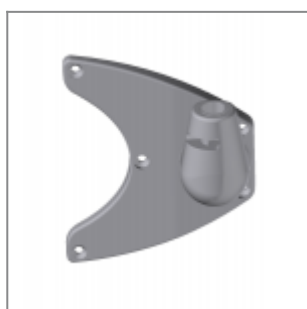


Window Grey - RAL 7040



Jet Black - RAL 9005

ACCESSORIES



Ambidextrous aluminium mechanism, black painted, with pin Ø14 (for use with writing tablets ref.ZATV30P90 and ZATV40P90)



Black plastic writing tablet for right hand people, to be used only with mechanism ZASN30A90



Right handed aluminium painted metal insert Volée with pin for writing tablet



Aluminium painted metal insert for Volée arm



Red plastic arm-pad Volée pantone 201C UV-resistant 300 Klangley



Blue plastic arm-pad Volée pantone 294C UV-resistant 300 Klangley



Grey plastic arm-pad Volée Ral 7040 UV-resistant 300 Klangley



Dark grey plastic arm-pad Volée Ral 7024 UV-resistant 300 Klangley



Black plastic arm-pad Volée UV-resistant 300 Klangley



White Ral 9003 plastic arm-pad Volée UV-resistant 300 Klangley



Right handed white painted metal insert Volée with pin for writing tablet



White painted metal insert for Volée arm



Right handed black painted metal insert Volée with pin for writing tablet



Black painted metal insert for Volée arm



Right handed chromed metal insert Volée with pin for writing tablet

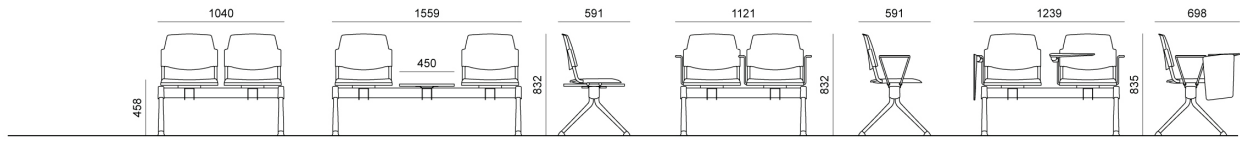


Chrome metal insert for Volée arm

DIMENSIONS

VOLÉE PLASTIC | NET PLASTIC | EASY SOFT | SOFT | NET SOFT . Design Angelo Pinaffo

DIEMMEBI[®]



PANCA | BENCH