

VOLÉE PLASTIC TIP-UP BENCH Design Angelo Pinaffo



EXCLUSIVE DISTRIBUTION.

Designed by the company's R&D department in collaboration with designer Angelo Pinaffo, its key elements are strength and endurance, a performance achieved through the use of a reliable high-density stacking frame. VOLÉE PLASTIC has polypropylene seat and backrest, which are anti-UV treated for outdoor use, available also in the fire-retardant version. VOLÉE features a wide range of accessories and frame solutions to fulfil any seating need in all public spaces.

FINISHES

ARMREST



Window Grey - RAL 7040

BACK



Jet Black - RAL 9005

Signal White - RAL 9003

Graphite Grey - RAL 7024

Window Grey - RAL 7040

SEAT



Window Grey - RAL 7040



Graphite Grey - RAL 7024



Signal White - RAL 9003

ACCESSORIES



Aluminium painted metal arm insert for tip-up bench laMia



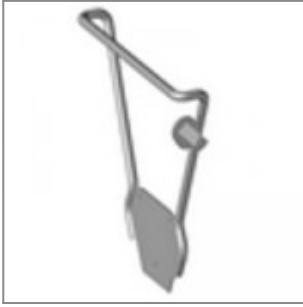
Black painted metal arm insert for tip-up bench laMia



Left handed alum.paint.insert arm for tip-up bench laMia, with pin for writing tablet



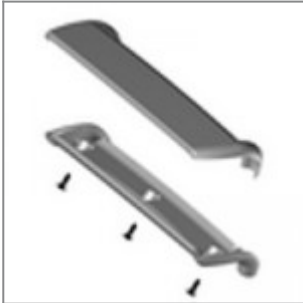
Left handed black paint.insert arm for tip-up bench laMia, with pin for writing tablet



Right handed alum. paint. insert arm for tip-up bench laMia, with pin for writing tablet



Right handed black paint. insert arm for tip-up bench laMia, with pin for writing tablet



Plastic grey Ral 7040 laMia pad for armrest



Plastic black laMia pad for armrest



Right-hand antipanic joint for writing tablet modd. ZATV10P90, ZATV10L06



Left-hand antipanic joint for writing tablet modd. ZATV10P90, ZATV10L06

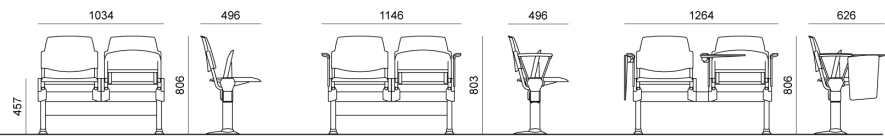


Left/Right-hand antipanic writing tablet in black ABS, suitable with ZASN10P90, ZASN20P90

DIMENSIONS

VOLÉE PLASTIC | NET PLASTIC | EASY SOFT | SOFT | NET SOFT . Design Angelo Pinaffo

DIEMMEBI[®]



PANCA RIBALTABILE | *TIP-UP BENCH*