

# VOLÉE PLASTIC WRITING TABLET CHAIR Design Angelo Pinaffo



## EXCLUSIVE DISTRIBUTION.

Designed by the company's R&D department in collaboration with designer Angelo Pinaffo, its key elements are strength and endurance, a performance achieved through the use of a reliable high-density stacking frame. VOLÉE PLASTIC has polypropylene seat and backrest, which are anti-UV treated for outdoor use, available also in the fire-retardant version. VOLÉE features a wide range of accessories and frame solutions to fulfil any seating need in all public spaces.

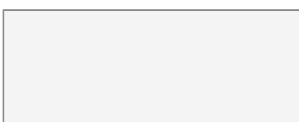
## FINISHES

### FRAME



Signal White - RAL 9003

### ARMREST



Signal White - RAL 9003

Graphite Grey - RAL 7024

Jet Black - RAL 9005

Window Grey - RAL 7040

## BACK

---



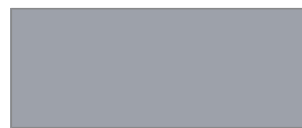
Jet Black - RAL 9005



Signal White - RAL 9003



Graphite Grey - RAL 7024



Window Grey - RAL 7040

## SEAT

---



Window Grey - RAL 7040



Graphite Grey - RAL 7024

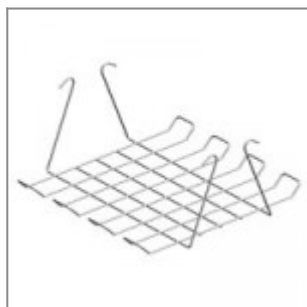


Signal White - RAL 9003

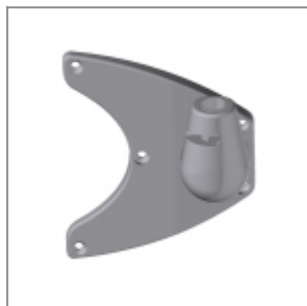
## ACCESSORIES



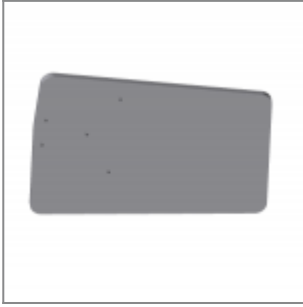
Black painted metal trolley, complete of castors



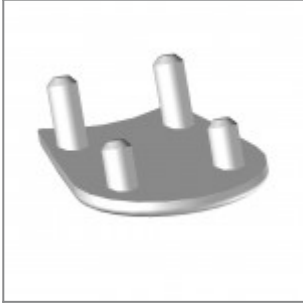
Black metal basket for chair Versa/Flou



Ambidextrous aluminium mechanism, black painted, with pin Ø14 (for use with writing tablets ref.ZATV30P90 and ZATV40P90 )



Black HPL writing tablet for left handed people (to be assembled only to the mechanism ZASN30A90)



Plastic sliding cap glide for soft and rough surfaces (useful for Flou, laMia and Volée frames)



Plastic cap with felt sticker for delicate floor coverings (useful for Flou, laMia and Volée frames)



Left handed aluminium painted metal insert Volée with pin for writing tablet



Aluminium painted metal insert for Volée arm



Red plastic arm-pad Volée pantone 201C UV-resistant 300 Klangley



Blue plastic arm-pad Volée pantone 294C UV-resistant 300 Klangley



Grey plastic arm-pad Volée Ral 7040 UV-resistant 300 Klangley



Dark grey plastic arm-pad Volée Ral 7024 UV-resistant 300 Klangley



Black plastic arm-pad Volée UV-resistant 300 Klangley



White Ral 9003 plastic arm-pad Volée UV-resistant 300 Klangley



Black painted male and female linking device for Volée arm chairs (2 simple arms or 1 simple arm + 1 arm with writing tablet)

