

TRILOGY SOFT BENCH Design Sandrin



Family of chairs with epoxy-coated or chrome-plated metal frame.

Seat and back in wood or to be upholstered.

Many accessories available.

Ideally suited for waiting areas, conference rooms and as a visitor chair thanks to its classic and neat design.

FINISHES

BACK



Jet Black - RAL 9005



Signal White - RAL 9003



Window Grey - RAL 7040

SUPPORTS



Jet Black - RAL 9005

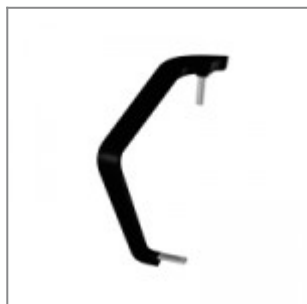


Signal White - RAL 9003



Window Grey - RAL 7040

ACCESSORIES



Right arm Trilogy, facing the chair, black polyurethane



Left arm Trilogy for writing tablet, facing the chair, black PU



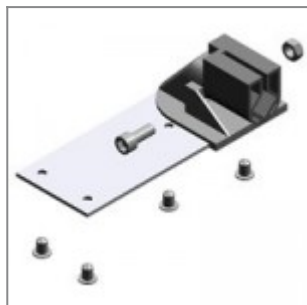
Right-hand antipanic joint for writing tablet modd. ZATV10P90, ZATV10L06



Left/Right-hand antipanic writing tablet in varnished beech, suitable with ZASN10P90, ZASN20P90



Left/Right-hand antipanic writing tablet in black ABS, suitable with ZASN10P90, ZASN20P90



Nylon joint with fixing metal plate for writing tablet modd. ZTF2635, ZTF2635DX, ZTP2635



Right-hand varnished beech wood writing tablet, suitable with joint cod. ZST15M



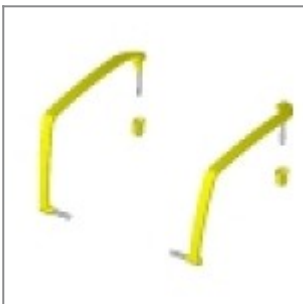
Left-hand varnished beech wood writing tablet, suitable with joint cod. ZST15M



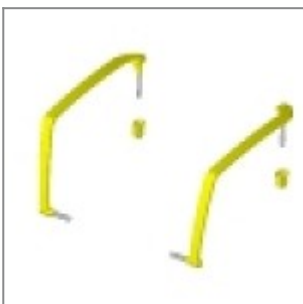
Black PS writing tablet, right-hand, suitable with joint cod. ZST15M



Black plastic pair of Multi arms



Grey plastic pair of Multi arms



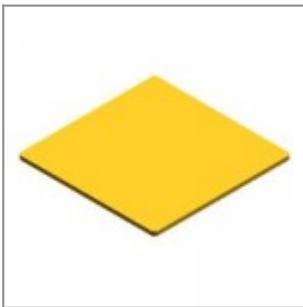
White plastic pair of Multi arms



Left arm Trilogy, facing the chair, black polyurethane

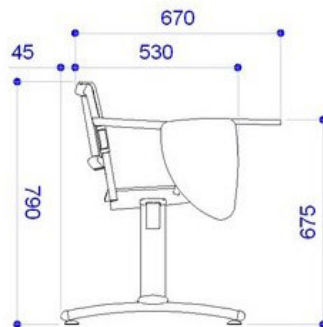
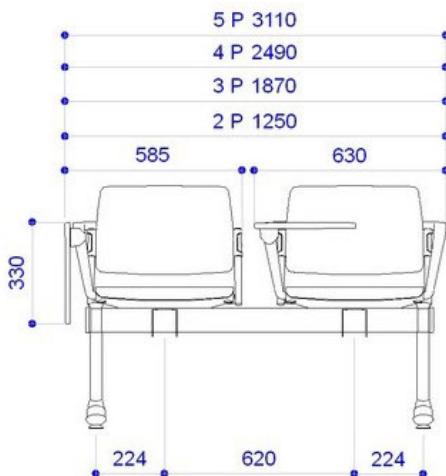
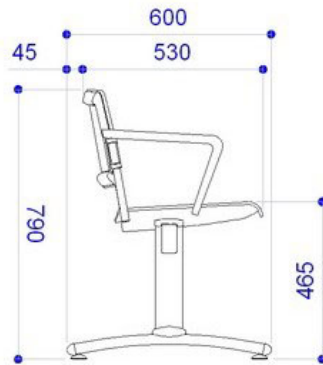
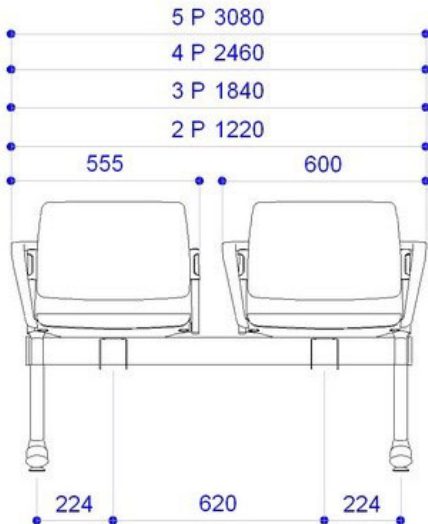
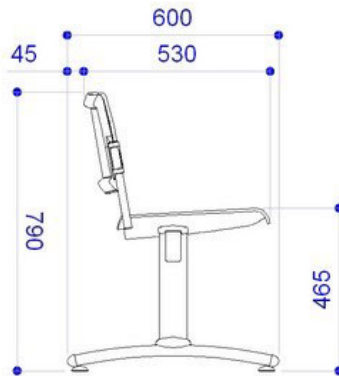
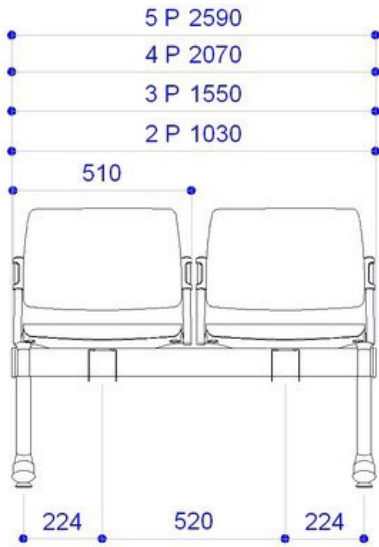


Left-hand antipanic joint for writing tablet modd. ZATV10P90, ZATV10L06



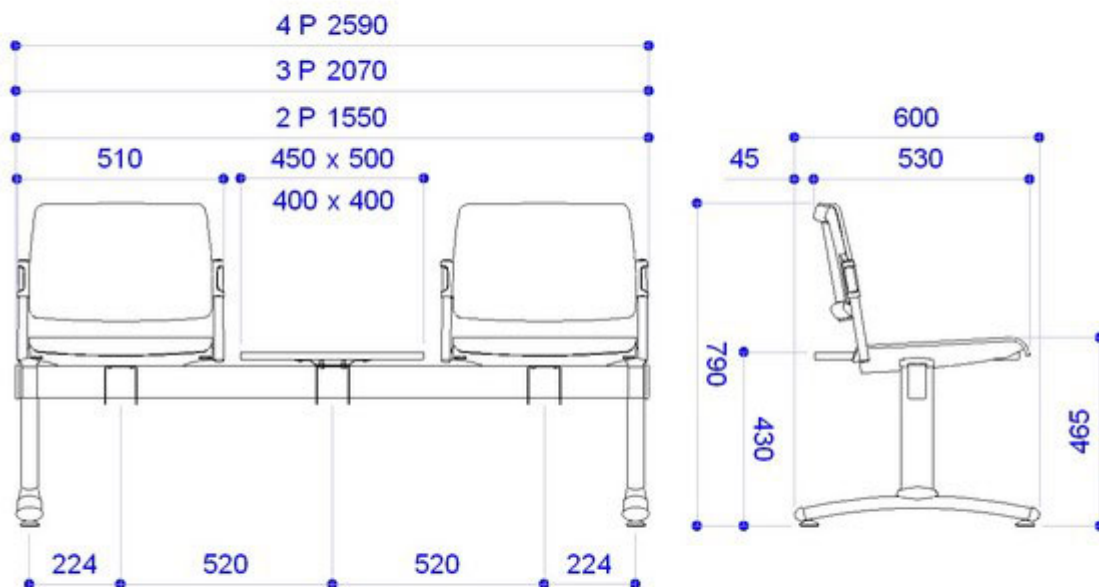
Varnished beech wood table top 400 x 400 mm

DIMENSIONS



Le dimensioni indicate sono espresse in millimetri (mm) e devono essere considerate solo informative.

The dimensions are indicated in millimetres (mm) and they must be considered only as an informations.



Le dimensioni indicate sono espresse in millimetri (mm) e devono essere considerate solo informative.

The dimensions are indicated in millimetres (mm) and they must be considered only as an informations.