

# TRILOGY SOFT TASK CHAIR Design Sandrin



Family of chairs with epoxy-coated or chrome-plated metal frame.

Seat and back in wood or to be upholstered.

Many accessories available.

Ideally suited for waiting areas, conference rooms and as a visitor chair thanks to its classic and neat design.

## FINISHES

### BACK



Jet Black - RAL 9005



Signal White - RAL 9003



Window Grey - RAL 7040

### SUPPORTS



Jet Black - RAL 9005

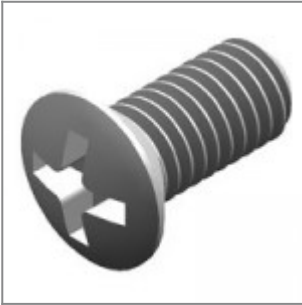


Signal White - RAL 9003



Window Grey - RAL 7040

## ACCESSORIES



Zinc-plated screw M6 x 20



Right arm Trilogy, facing the chair, black polyurethane



Left arm Trilogy, facing the chair, black polyurethane



Gray polypropylene Trilogy seat cover



White polypropylene Trilogy seat cover



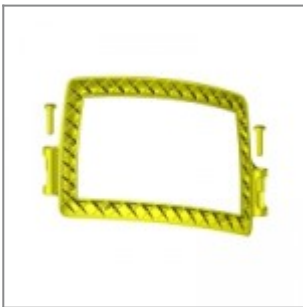
Gray polypropylene Trilogy back



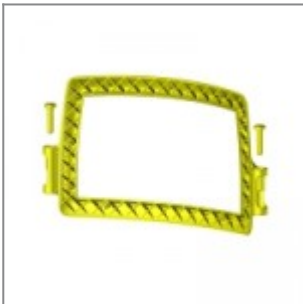
White polypropylene Trilogy back



Gray PP Trilogy frame for back for mesh

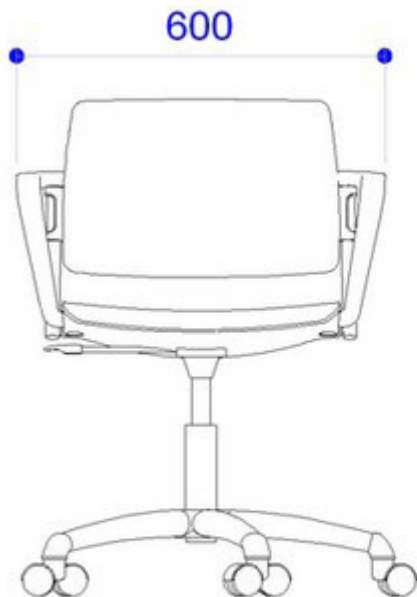
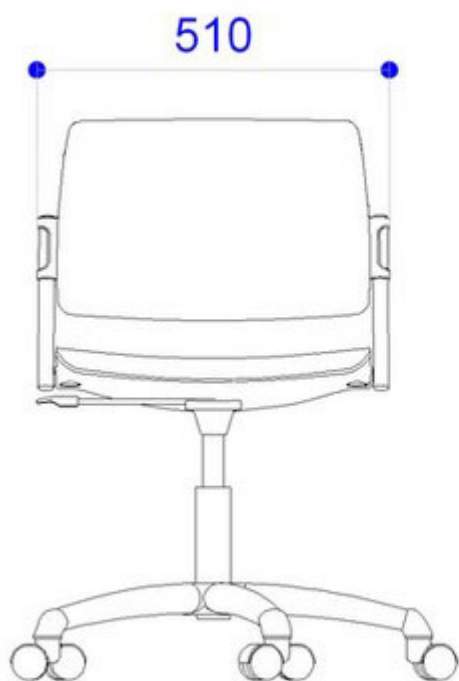


Gray polypropylene Trilogy back support



White polypropylene Trilogy back support

## DIMENSIONS



Le dimensioni indicate sono espresse in millimetri (mm) e devono essere considerate solo informative.

The dimensions are indicated in millimetres (mm) and they must be considered only as an informations.