

## laMIA WOOD CHAIR Design Angelo Pinaffo



Family of chairs with epoxy-coated or chrome-plated metal frame. Seat and back made of anti-UV treated injection moulded polypropylene. Also available in the flame retardant and biodegradable version upon request. Upholstery can be added to the plastic seat and back or just to the seat. Wood and metal complete the range. Wide range of accessories available. Ideal for all public spaces that are intensively used.

### FINISHES

#### FRAME

---



Signal White - RAL 9003

### ACCESSORIES



Black spacer for chairs, accessories not included



Chromed metal insert for laMia armrest



Aluminium painted insert for laMia armrest



Black painted insert for laMia armrest



Half dull white Ral9003 painted insert for laMia armrest



Left handed chromed metal insert laMia with pin for writing tablet



Left handed aluminium painted metal insert laMia with pin for writing tablet



Left handed black painted metal insert laMia with pin for writing tablet



Left handed half dull white Ral9003 painted metal insert laMia with pin for writing tablet



Right handed chromed metal insert laMia with pin for writing tablet



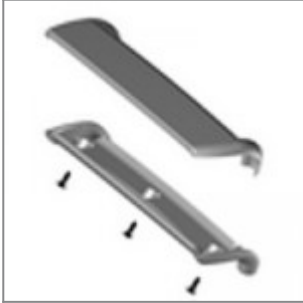
Right handed aluminium painted metal insert laMia with pin for writing tablet



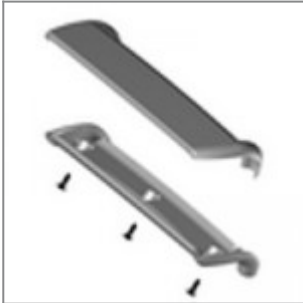
Right handed black painted metal insert laMia with pin for writing tablet



Right handed half dull white Ral9003 painted metal insert laMia with pin for writing tablet



Plastic grey Ral 7040 laMia pad for armrest



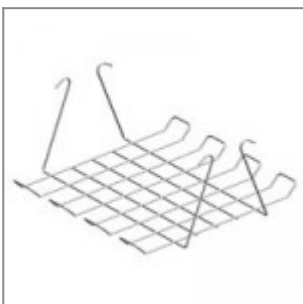
Plastic black laMia pad for armrest



Black painted metal trolley, complete of castors



Long metal linking device to link chairs Versa/Flou



Black metal basket for chair Versa/Flou



Right-hand antipanic joint for writing tablet modd. ZATV10P90, ZATV10L06



Left-hand antipanic joint for writing tablet modd. ZATV10P90, ZATV10L06



Left/Right-hand antipanic writing tablet in varnished beech, suitable with ZASN10P90, ZASN20P90



Left/Right-hand antipanic writing tablet in black ABS, suitable with ZASN10P90, ZASN20P90



Nylon joint with fixing metal plate for writing tablet modd. ZTF2635, ZTF2635DX, ZTP2635



Right-hand varnished beech wood writing tablet, suitable with joint cod. ZST15M



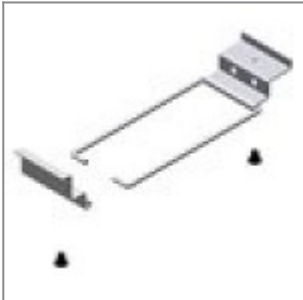
Left-hand varnished beech wood writing tablet, suitable with joint cod. ZST15M



Black PS writing tablet, right-hand, suitable with joint cod. ZST15M



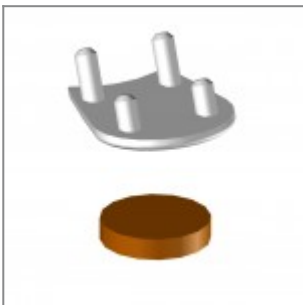
Black plastic spacer / linking device for four legged chairs (2 pcs per chair are needed)



Long metal linking device for four legged armchairs (to be assembled just with ZAAG10P90)



Plastic sliding cap glide for soft and rough surfaces (useful for Flou, laMia and Volée frames)



Plastic cap with felt sticker for delicate floor coverings (useful for Flou, laMia and Volée frames)



Red Pantone 201C laMia seat and back polypropylene UV-resistant 360 Klangley



Blue Pantone 279C laMia seat and back polypropylene UV-resistant 360 Klangley



Green Pantone 375C laMia seat and back polypropylene UV-resistant 360 Klangley



Grey Ral 7040 laMia seat and back polypropylene UV-resistant 360 Klangley



Sand laMia seat and back polypropylene UV-resistant 360 Klangley



White Ral 9003 laMia seat and back polypropylene UV-resistant 360 Klangley



laMia seat and back in fireproof grey Ral 7040 PP colour



laMia seat and back in fireproof black Ral 9005 PP colour

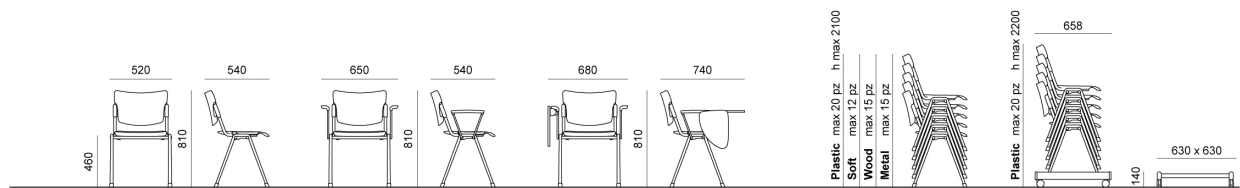


Table top for bench 450x500, bicoloured black and grey

## DIMENSIONS

**laMIA** PLASTIC | EASY SOFT | SOFT | WOOD | METAL . Design Angelo Pinaffo

**DIEMMEBI®**



SEDA CON E SENZA BRACCIOLI E SCRITTOIO | CHAIR WITH OR WITHOUT ARMS AND WRITING TABLET