

# TRILOGY PLASTIC BENCH Design Sandrin



Family of chairs with epoxy-coated or chrome-plated metal frame.

Seat and back in wood or to be upholstered.

Many accessories available.

Ideally suited for waiting areas, conference rooms and as a visitor chair thanks to its classic and neat design.

## FINISHES

### BACK



Jet Black - RAL 9005



Signal White - RAL 9003



Window Grey - RAL 7040

### SUPPORTS



Jet Black - RAL 9005



Signal White - RAL 9003



Window Grey - RAL 7040

## SEAT

---



Window Grey - RAL 7040

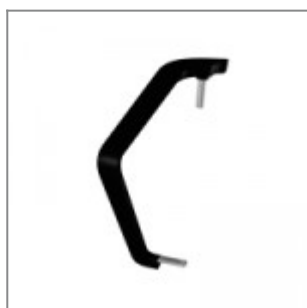


Signal White - RAL 9003

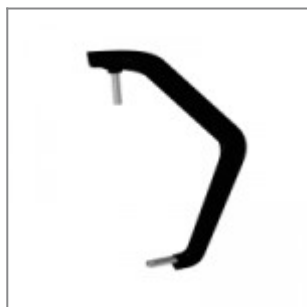


Jet Black - RAL 9005

## ACCESSORIES



Right arm Trilogy, facing the chair, black polyurethane



Left arm Trilogy, facing the chair, black polyurethane



Left arm Trilogy for writing tablet, facing the chair, black PU



Right-hand antipanic joint for writing tablet modd. ZATV10P90, ZATV10L06



Left-hand antipanic joint for writing tablet modd. ZATV10P90, ZATV10L06



Left/Right-hand antipanic writing tablet in varnished beech, suitable with ZASN10P90, ZASN20P90



Left/Right-hand antipanic writing tablet in black ABS, suitable with ZASN10P90, ZASN20P90



Nylon joint with fixing metal plate for writing tablet modd. ZTF2635, ZTF2635DX, ZTP2635



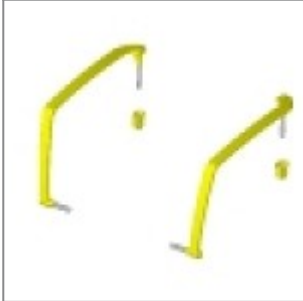
Right-hand varnished beech wood writing tablet, suitable with joint cod. ZST15M



Left-hand varnished beech wood writing tablet, suitable with joint cod. ZST15M



Black PS writing tablet, right-hand, suitable with joint cod. ZST15M



Black plastic pair of Multi arms

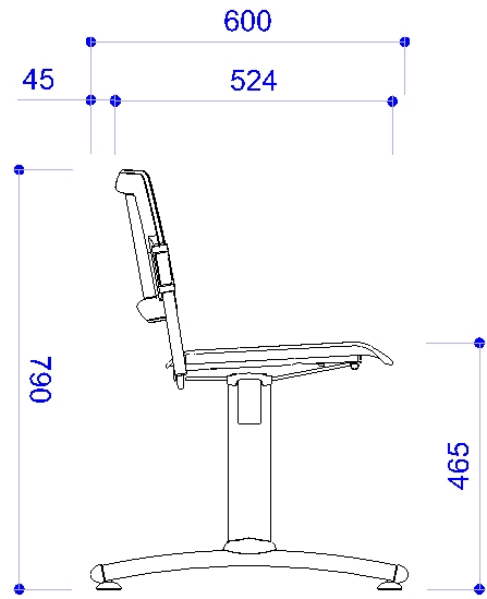
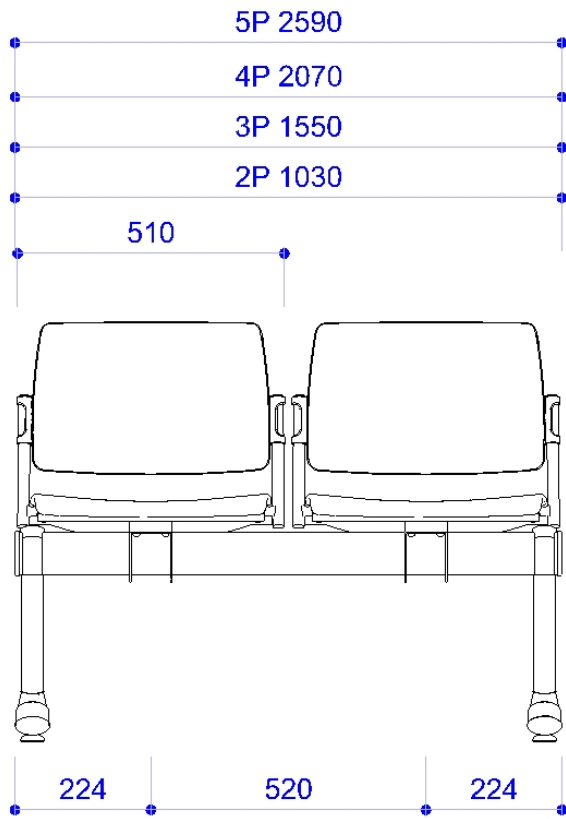


Grey plastic pair of Multi arms



White plastic pair of Multi arms

## DIMENSIONS



Le dimensioni indicate sono espresse in millimetri (mm) e devono essere considerate solo informative  
 The dimensions are indicated in millimetres (mm) and they must be considered only as an informations