

# TRILOGY PLASTIC CASTORS CHAIR Design Sandrin



Family of chairs with epoxy-coated or chrome-plated metal frame.

Seat and back in wood or to be upholstered.

Many accessories available.

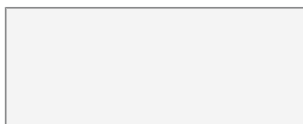
Ideally suited for waiting areas, conference rooms and as a visitor chair thanks to its classic and neat design.

## FINISHES

### BACK



Jet Black - RAL 9005



Signal White - RAL 9003



Window Grey - RAL 7040

### SUPPORTS



Jet Black - RAL 9005



Signal White - RAL 9003



Window Grey - RAL 7040

## SEAT

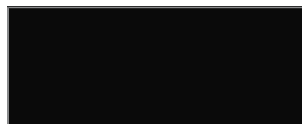
---



Window Grey - RAL 7040



Signal White - RAL 9003



Jet Black - RAL 9005

## ACCESSORIES



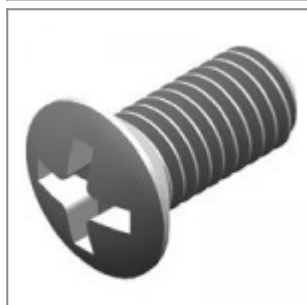
Short liking device for chair or 1 arm and writing tablet



Long liking device for 2 arms chair and writing tablet



Right polyurethane arm Wendy for writing tablet, facing the chair



Zinc plated screw M6 x 20



Right-hand antipanic joint for writing tablet modd. ZATV10P90, ZATV10L06



Left-hand antipanic joint for writing tablet modd. ZATV10P90, ZATV10L06



Left/Right-hand antipanic writing tablet in varnished beech, suitable with ZASN10P90, ZASN20P90



Left/Right-hand antipanic writing tablet in black ABS, suitable with ZASN10P90, ZASN20P90



Nylon joint with fixing metal plate for writing tablet modd. ZTF2635, ZTF2635DX, ZTP2635



Right-hand varnished beech wood writing tablet, suitable with joint cod. ZST15M

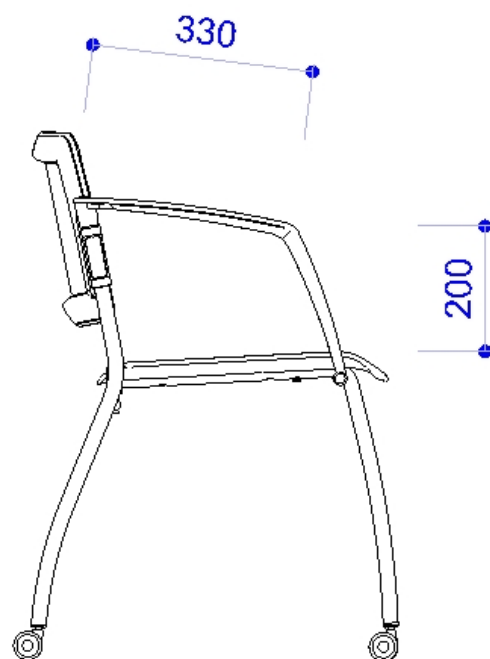
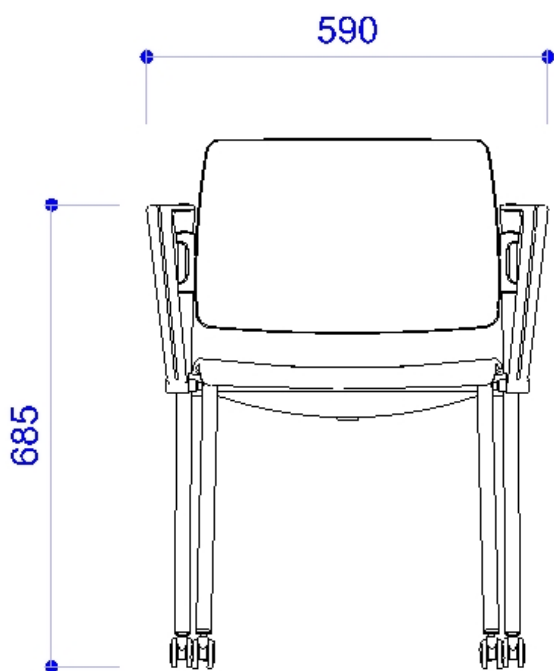
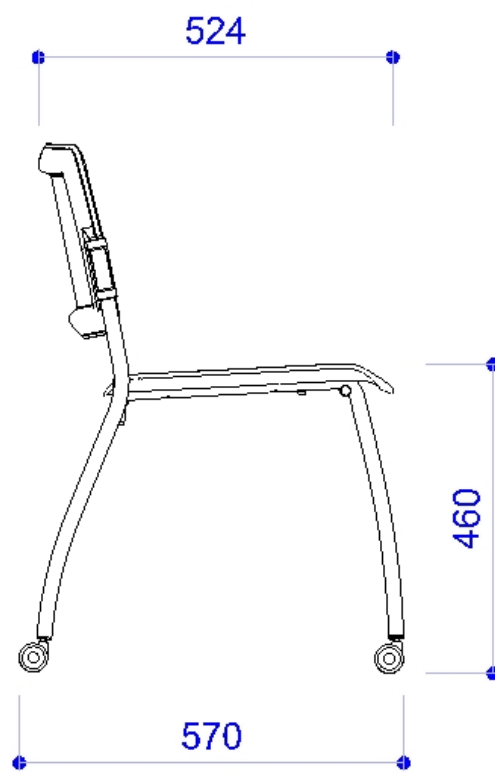
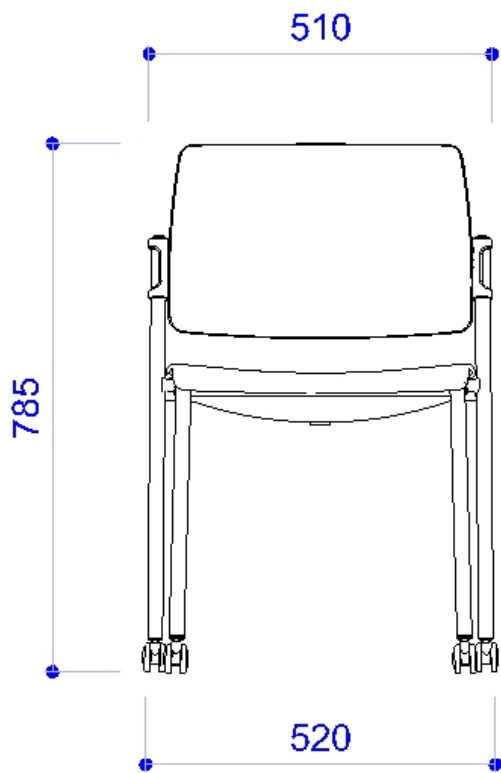


Left-hand varnished beech wood writing tablet, suitable with joint cod. ZST15M



Black PS writing tablet, right-hand, suitable with joint cod. ZST15M

## DIMENSIONS



Le dimensioni indicate sono espresse in millimetri (mm) e devono essere considerate solo informative

The dimensions are indicated in millimetres (mm) and they must be considered only as an informations