

TRILOGY PLASTIC CHAIR Design Sandrin



Family of chairs with epoxy-coated or chrome-plated metal frame.

Seat and back in wood or to be upholstered.

Many accessories available.

Ideally suited for waiting areas, conference rooms and as a visitor chair thanks to its classic and neat design.

FINISHES

BACK



Jet Black - RAL 9005



Signal White - RAL 9003



Window Grey - RAL 7040

SUPPORTS



Jet Black - RAL 9005



Signal White - RAL 9003



Window Grey - RAL 7040

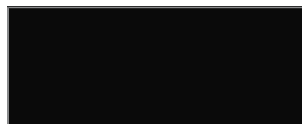
SEAT



Window Grey - RAL 7040



Signal White - RAL 9003



Jet Black - RAL 9005

ACCESSORIES



Service trolley for chairs, complete with castors



Short liking device for chair or 1 arm and writing tablet



Long liking device for 2 arms chair and writing tablet



Right-hand antipanic joint for writing tablet modd. ZATV10P90, ZATV10L06



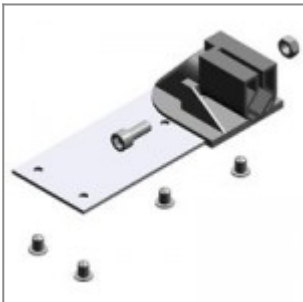
Left-hand antipanic joint for writing tablet modd. ZATV10P90, ZATV10L06



Left/Right-hand antipanic writing tablet in varnished beech, suitable with ZASN10P90, ZASN20P90



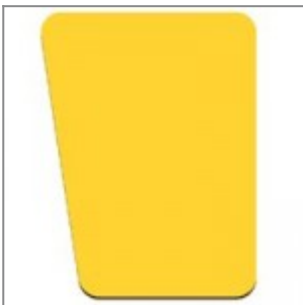
Left/Right-hand antipanic writing tablet in black ABS, suitable with ZASN10P90, ZASN20P90



Nylon joint with fixing metal plate for writing tablet modd. ZTF2635, ZTF2635DX, ZTP2635



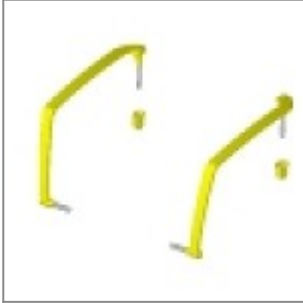
Right-hand varnished beech wood writing tablet, suitable with joint cod. ZST15M



Left-hand varnished beech wood writing tablet, suitable with joint cod. ZST15M



Black PS writing tablet, right-hand, suitable with joint cod. ZST15M



Black plastic pair of Multi arms



Grey plastic pair of Multi arms

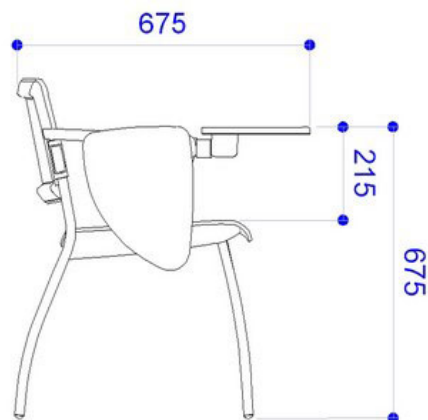
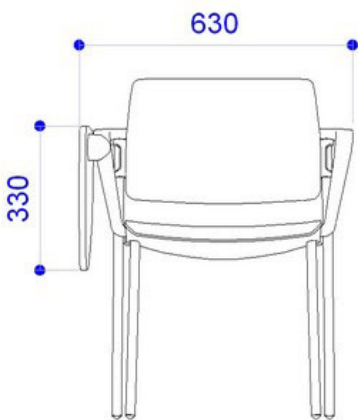
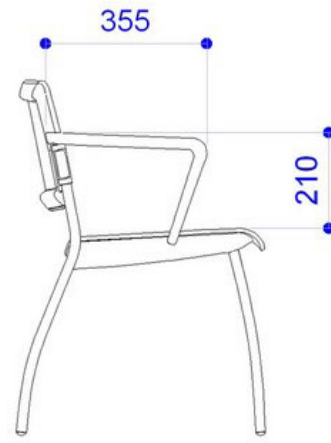
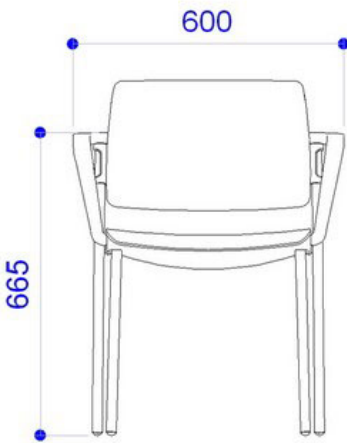
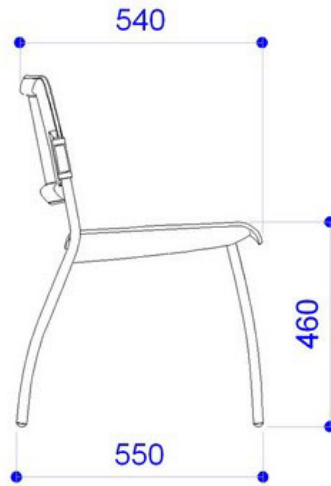
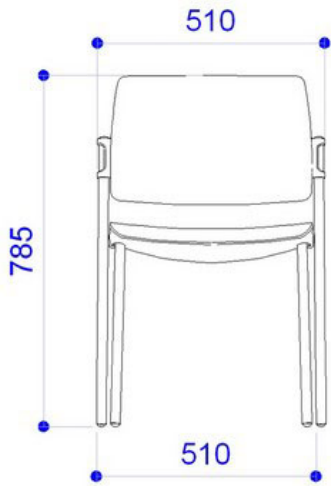


White plastic pair of Multi arms

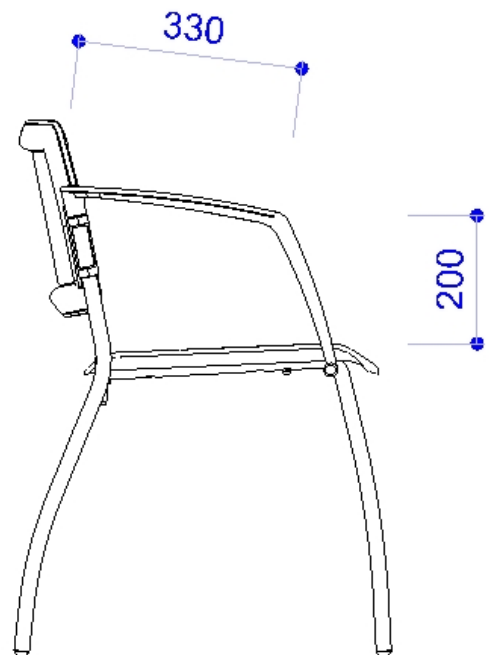
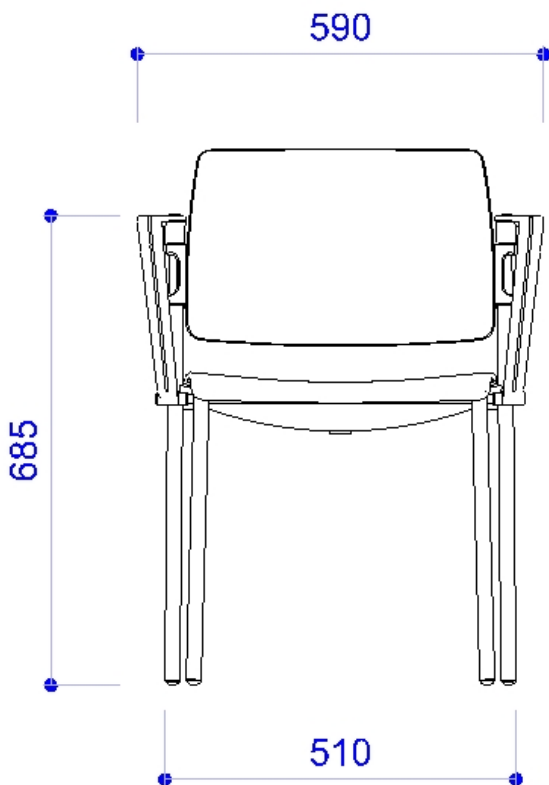
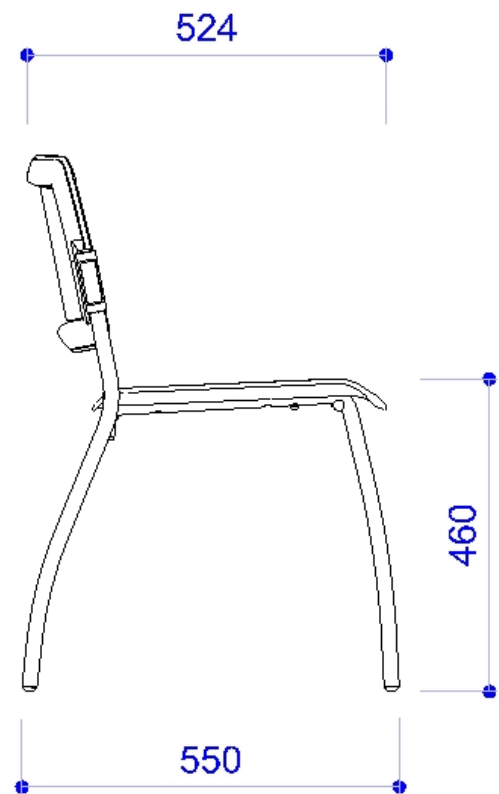
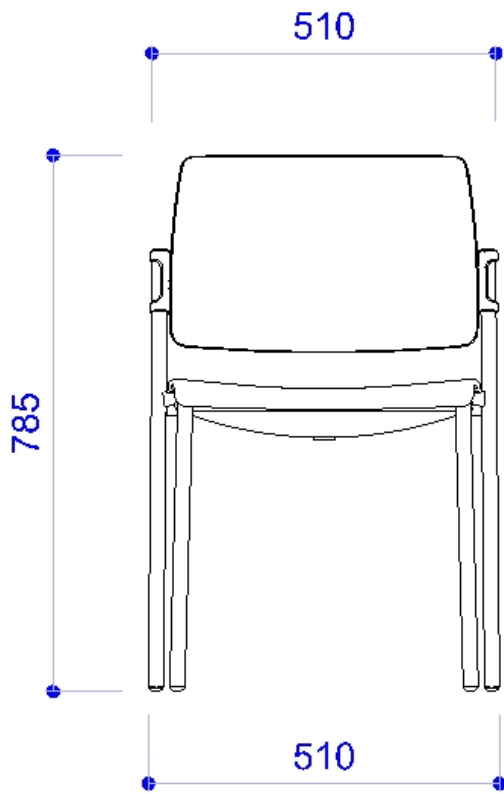


Right polyurethane arm Wendy for writing tablet, facing the chair

DIMENSIONS



Le dimensioni indicate sono espresse in millimetri (mm) e devono essere considerate solo informative.
The dimensions are indicated in millimetres (mm) and they must be considered only as an informations.



Le dimensioni indicate sono espresse in millimetri (mm) e devono essere considerate solo informative
The dimensions are indicated in millimetres (mm) and they must be considered only as an informations