

MULTI EASY SOFT CANTILEVER Design Diemmebi R&D



Family of chairs with epoxy-coated or chromed metal frame. Multi features injection molded polypropylene seat and back. The range also includes the upholstered version to add extra comfort to the chair. Many accessories are available to make Multi an ideal solution for waiting areas, conference rooms and offices.

FINISHES

BACK



Jet Black - RAL 9005

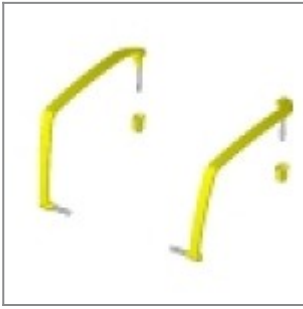


Signal White - RAL 9003

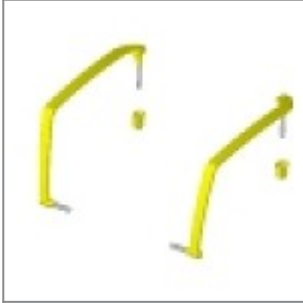


Window Grey - RAL 7040

ACCESSORIES



Black plastic pair of Multi arms

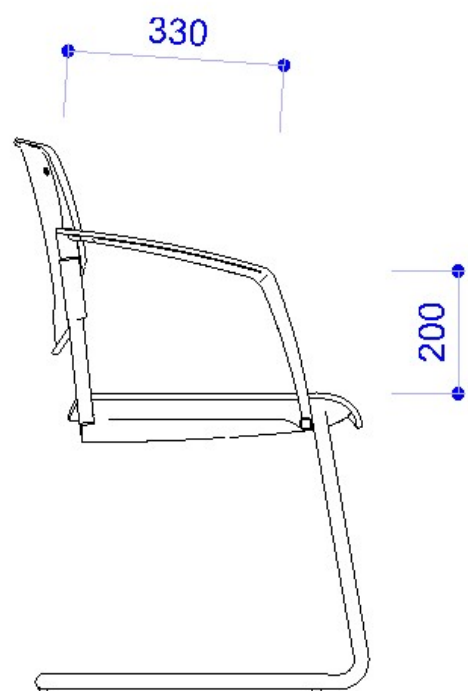
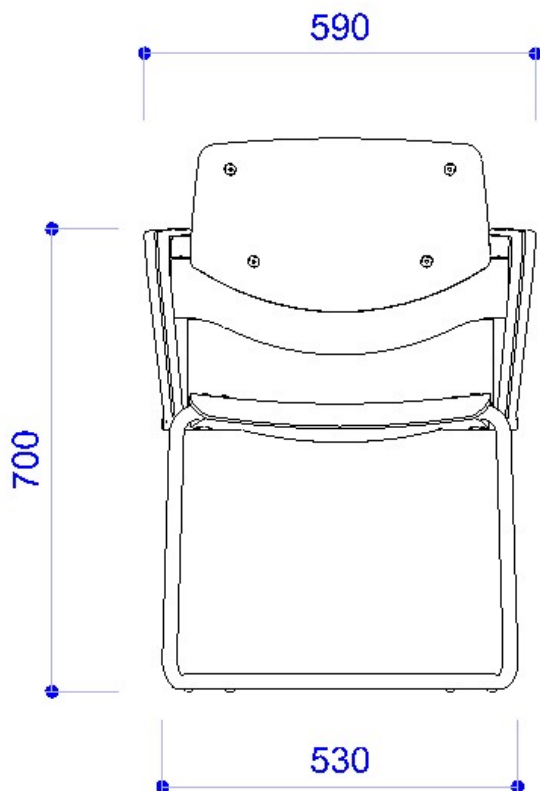
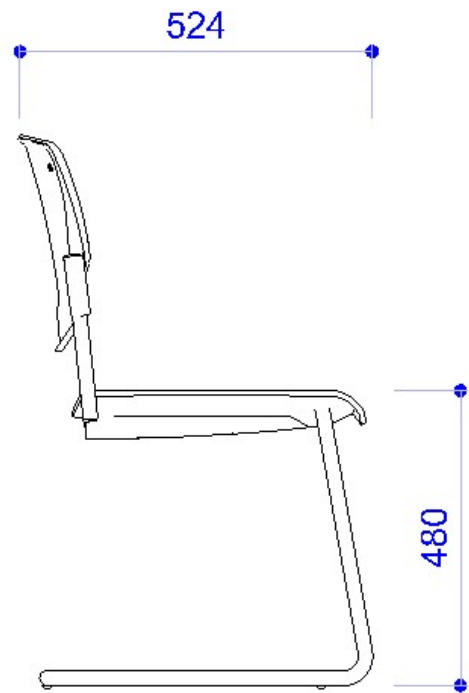
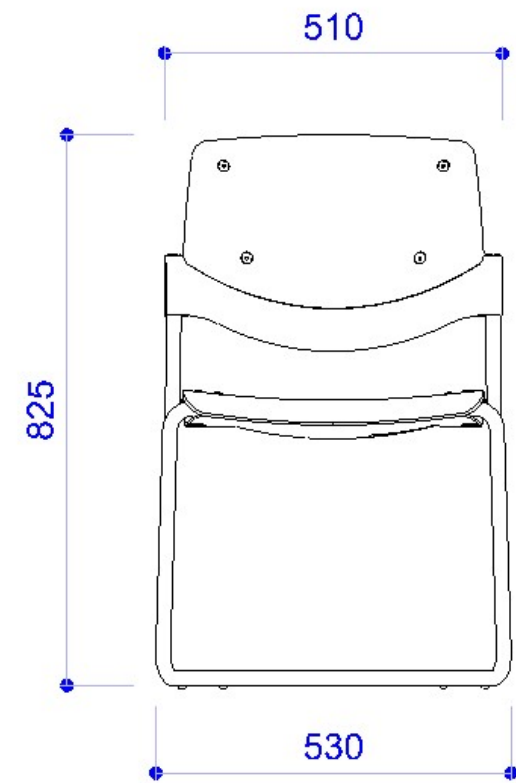


Grey plastic pair of Multi arms



White plastic pair of Multi arms

DIMENSIONS



Le dimensioni indicate sono espresse in millimetri (mm) e devono essere considerate solo informative

The dimensions are indicated in millimetres (mm) and they must be considered only as an informations