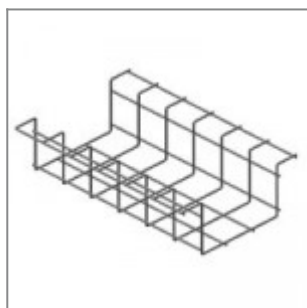


FLOU WOOD CANTEEN TABLE Design Diemmebi R&D



Family of chairs with epoxy-coated or chrome-plated metal frame.
Seat and back made of wood or injection moulded polypropylene, also available in the flame retardant version.
In the moulded versions made of plastic material, back and seat inners can be upholstered and added for more comfort.
Wide range of accessories available.
Ideal for public spaces in general

ACCESSORIES



Black painted single book holder for canteen table

DIMENSIONS

