

## FLOU WOOD TIP-UP BENCH Design Diemmebi R&D



Family of chairs with epoxy-coated or chrome-plated metal frame.

Seat and back made of wood or injection moulded polypropylene, also available in the flame retardant version.

In the moulded versions made of plastic material, back and seat inners can be upholstered and added for more comfort.

Wide range of accessories available.

Ideal for public spaces in general

### ACCESSORIES



Aluminium painted metal arm insert for tip-up bench laMia



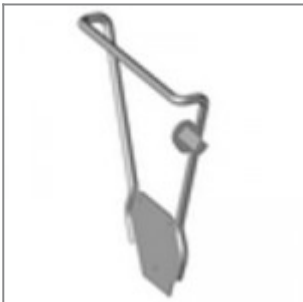
Black painted metal arm insert for tip-up bench laMia



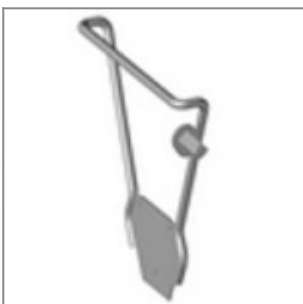
Left handed alum. paint. insert arm for tip-up bench laMia, with pin for writing tablet



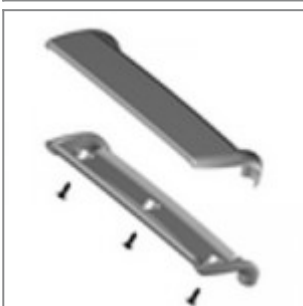
Left handed black paint. insert arm for tip-up bench laMia, with pin for writing tablet



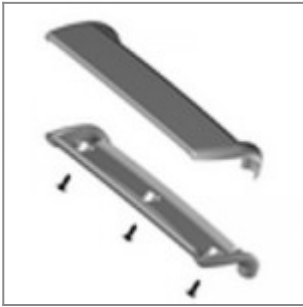
Right handed alum. paint. insert arm for tip-up bench laMia, with pin for writing tablet



Right handed black paint. insert arm for tip-up bench laMia, with pin for writing tablet



Plastic grey Ral 7040 laMia pad for armrest



Plastic black laMia pad for armrest



Right-hand antipanic joint for writing tablet modd. ZATV10P90, ZATV10L06



Left-hand antipanic joint for writing tablet modd. ZATV10P90, ZATV10L06

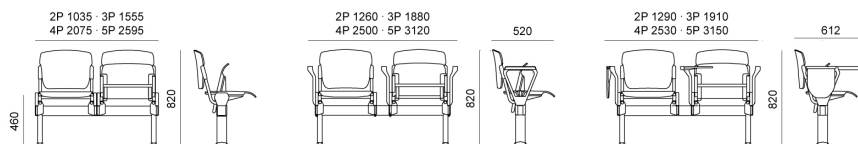


Left/Right-hand antipanic writing tablet in varnished beech, suitable with ZASN10P90, ZASN20P90



Left/Right-hand antipanic writing tablet in black ABS, suitable with ZASN10P90, ZASN20P90

## DIMENSIONS



PANCA RIBALTABILE | TIP-UP BENCH