

FLOU SOFT CHAIR Design Diemmebi R&D



Family of chairs with epoxy-coated or chrome-plated metal frame.

Seat and back made of wood or injection moulded polypropylene, also available in the flame retardant version.

In the moulded versions made of plastic material, back and seat inners can be upholstered and added for more comfort.

Wide range of accessories available.

Ideal for public spaces in general

FINISHES

FRAME



Signal White - RAL 9003

ACCESSORIES



Black spacer for chairs, accessories not included



Flou aluminium painted arm with ABS arm-rest for writing tablet, left facing the chair



Flou chromed arm with ABS arm-rest for writing tablet, left facing the chair



Aluminium painted arm Flou with ABS arm-rest



Flou black painted arm with ABS arm-rest for writing tablet, left facing the chair



Chrome arm Flou with ABS arm-rest



Black painted arm Flou with ABS arm-rest



Flou seat and back in blue PP colour



Flou seat and back in fireproof blue PP colour



Flou seat and back in grey PP colour



Flou seat and back in fireproof black PP colour



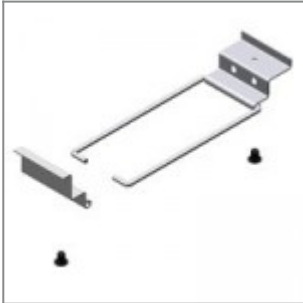
Flou seat and back in pistachio PP colour



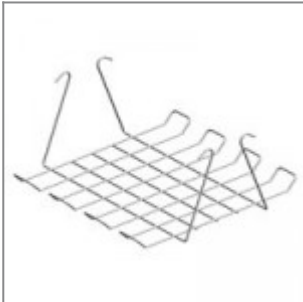
Flou seat and back in red PP colour



Black painted metal trolley, complete of castors



Long metal linking device to link chairs Versa/Flou



Black metal basket for chair Versa/Flou



Right-hand antipanic joint for writing tablet modd. ZATV10P90, ZATV10L06



Left-hand antipanic joint for writing tablet modd. ZATV10P90, ZATV10L06



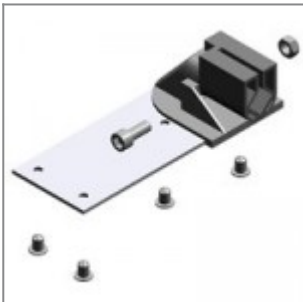
Grey cover for Hilo/Clipper screws



Left/Right-hand antipanic writing tablet in varnished beech, suitable with ZASN10P90, ZASN20P90



Left/Right-hand antipanic writing tablet in black ABS, suitable with ZASN10P90, ZASN20P90



Nylon joint with fixing metal plate for writing tablet modd. ZTF2635, ZTF2635DX, ZTP2635



Right-hand varnished beech wood writing tablet, suitable with joint cod. ZST15M



Left-hand varnished beech wood writing tablet, suitable with joint cod. ZST15M



Black PS writing tablet, right-hand, suitable with joint cod. ZST15M



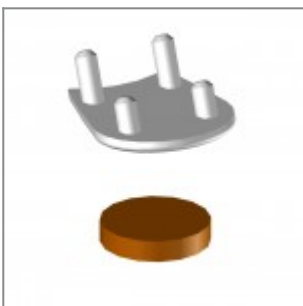
Black plastic spacer / linking device for four legged chairs (2 pcs per chair are needed)



Long metal linking device for four legged armchairs (to be assembled just with ZAAG10P90)

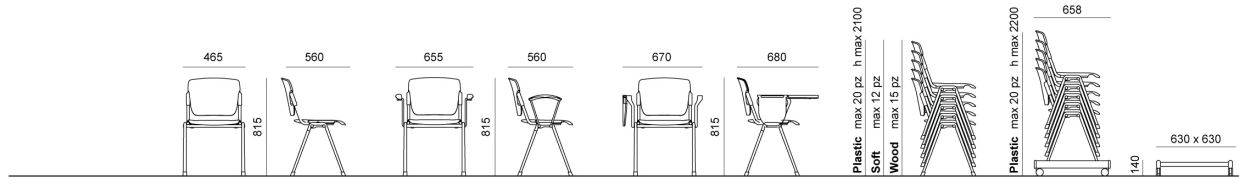


Plastic sliding cap glide for soft and rough surfaces (useful for Flou, laMia and Volée frames)



Plastic cap with felt sticker for delicate floor coverings (useful for Flou, laMia and Volée frames)

DIMENSIONS



SEDIA CON E SENZA BRACCIOLI E SCRITTOIO | CHAIR WITH OR WITHOUT ARMS AND WRITING TABLET