

# laMIA SOFT TASK CHAIR Design Angelo Pinaffo



Family of chairs with epoxy-coated or chrome-plated metal frame. Seat and back made of anti-UV treated injection moulded polypropylene. Also available in the flame retardant and biodegradable version upon request. Upholstery can be added to the plastic seat and back or just to the seat. Wood and metal complete the range. Wide range of accessories available. Ideal for all public spaces that are intensively used.

## FINISHES

### BACK



Pantone - Sand



Pantone - 375C



Pantone - 279C



Pantone - 201C



Jet Black - RAL 9005

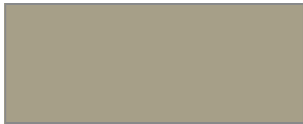


Signal White - RAL 9003

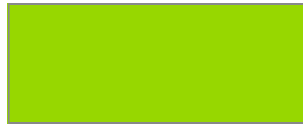


Window Grey - RAL 7040

### SEAT



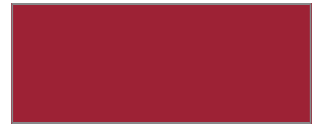
Pantone - Sand



Pantone - 375C



Pantone - 279C



Pantone - 201C



Jet Black - RAL 9005



Signal White - RAL 9003



Window Grey - RAL 7040

## ACCESSORIES



Chromed metal insert for laMia armrest



Aluminium painted insert for laMia armrest



Black painted insert for laMia armrest



Half dull white Ral9003 painted insert for laMia armrest

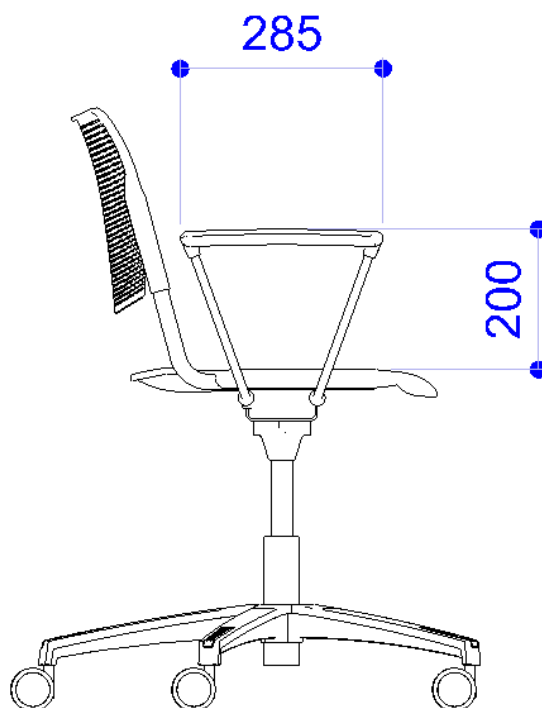
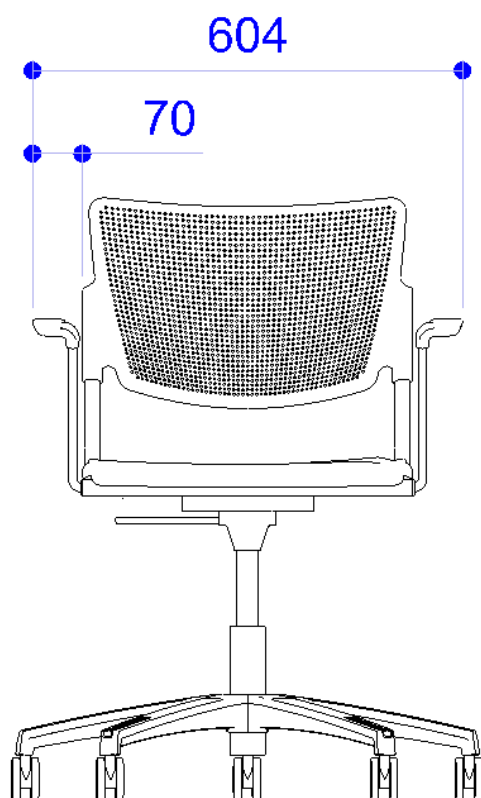
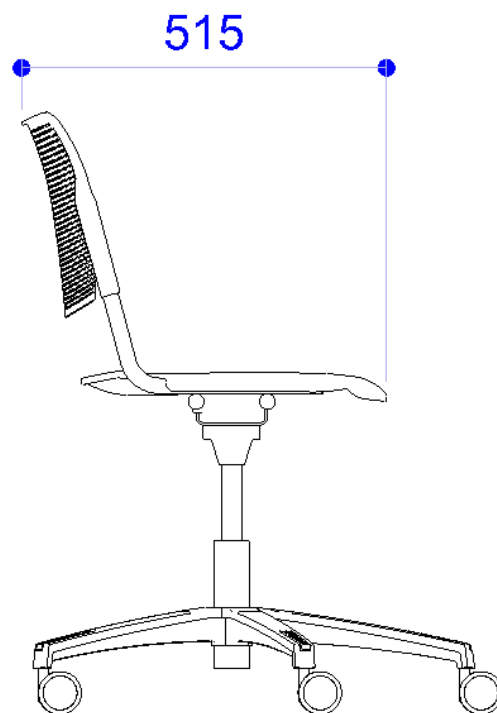
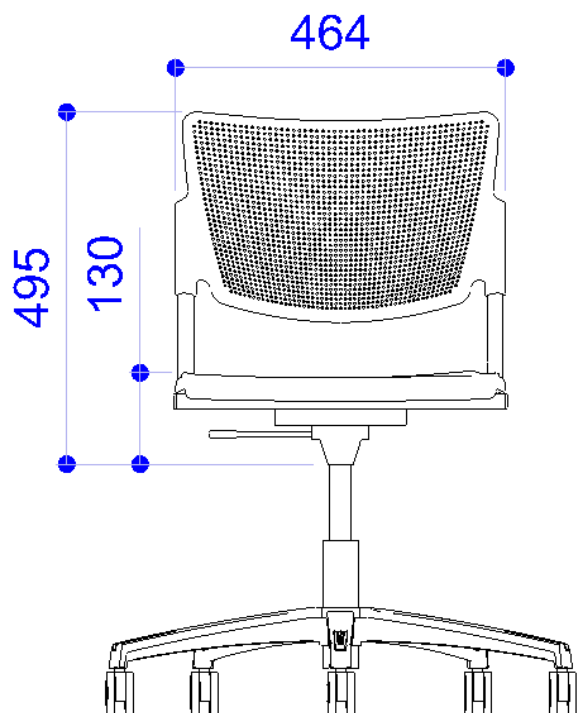


Plastic grey Ral 7040 laMia pad for armrest



Plastic black laMia pad for armrest

## DIMENSIONS



Le dimensioni indicate sono espresse in millimetri (mm) e devono essere considerate solo informative.

The dimensions are indicated in millimetres (mm) and they must be considered only as an informations.