

# laMIA PLASTIC CANTILEVER Design Angelo Pinaffo



Family of chairs with epoxy-coated or chrome-plated metal frame. Seat and back made of anti-UV treated injection moulded polypropylene. Also available in the flame retardant and biodegradable version upon request. Upholstery can be added to the plastic seat and back or just to the seat. Wood and metal complete the range. Wide range of accessories available. Ideal for all public spaces that are intensively used.

## FINISHES

### BACK



Pantone - Sand



Pantone - 375C



Pantone - 279C



Pantone - 201C



Jet Black - RAL 9005

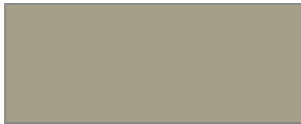


Signal White - RAL 9003

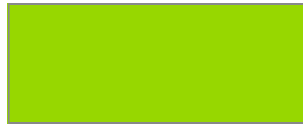


Window Grey - RAL 7040

### SEAT



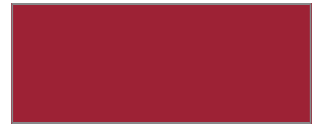
Pantone - Sand



Pantone - 375C



Pantone - 279C



Pantone - 201C



Jet Black - RAL 9005



Signal White - RAL 9003



Window Grey - RAL 7040

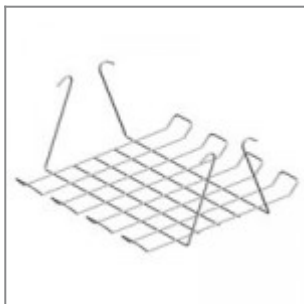
## ACCESSORIES



Black spacer for chairs, accessories not included



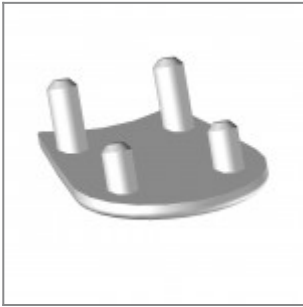
Black painted metal trolley, complete of castors



Black metal basket for chair Versa/Flou



Black plastic spacer / linking device for four legged chairs (2 pcs per chair are needed)



Plastic sliding cap glide for soft and rough surfaces (useful for Flou, laMia and Volée frames)



Plastic cap with felt sticker for delicate floor coverings (useful for Flou, laMia and Volée frames)

## DIMENSIONS

**laMIA** PLASTIC | EASY SOFT | SOFT | WOOD | METAL . Design Angelo Pinaffo

**DIEMMEBI**<sup>®</sup>

