

laFILÒ SOFT CHAIR Design Alberto Basaglia Natalia Rota Nodari



Family of chairs with epoxy-coated or chrome-plated metal frame. Injection moulded polypropylene seat and back with anti-UV treatment. Flame retardant version available. Both the back and the seat or the seat only can be padded. Also available with armrests and various accessories. Ideal for public areas in general in the skid base version. Four legs version suitable for home environments.

FINISHES

BACK



Signal White - RAL 9003



Jet Black - RAL 9005



Cobalt Blue - RAL 5013



Window Grey - RAL 7040



Carmine Red - RAL 3002



Pantone - Sand

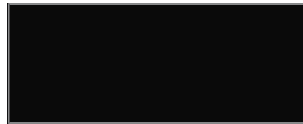


Pantone - 375C

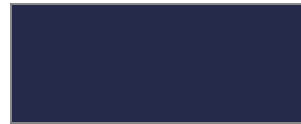
SEAT



Signal White - RAL 9003



Jet Black - RAL 9005



Cobalt Blue - RAL 5013



Window Grey - RAL 7040



Carmine Red - RAL 3002



Pantone - Sand



Pantone - 375C

FRAME



Signal White - RAL 9003

ACCESSORIES



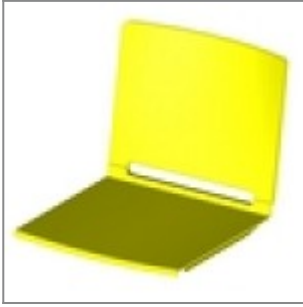
Red Ral 3002 la Filò seat and back polypropylene UV-resistant 300 KLangley



Blu Ral 5013 la Filò seat and back polypropylene UV-resistant 300 KLangley



Green Pantone 375C la Filò seat and back polypropylene UV-resistant 300 KLangley



Grey Ral 7040 la Filò seat and back polypropylene UV-resistant 300 KLangley



Sand la Filò seat and back polypropylene UV-resistant 300 KLangley



White Ral 9003 la Filò seat and back polypropylene UV resistant 300 KLangley



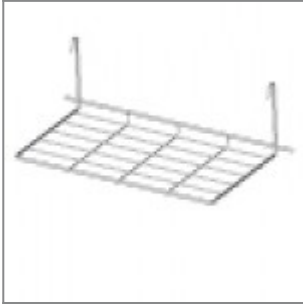
Black painted chair trolley for skid chairs



Short linking device w/handle, for Ø11 rod tube chair frames without arms



Long linking device w/handle, for Ø11 rod tube chair frames with arms and writing tablet



Chrome metal basket for laFilò skid frames



Black painted spacer bar for laFilò chairs (screws not included)

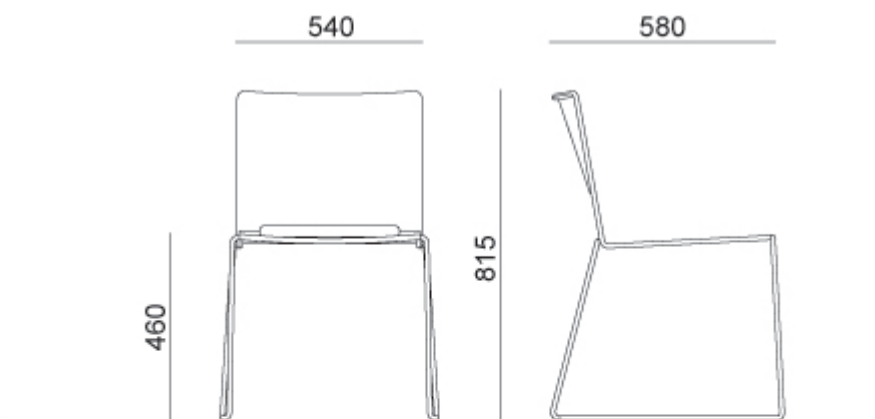


Plastic sliding cap glide for soft and rough surfaces suitable for rod tube frames glides



Plastic cap with felt sticker for delicate floor coverings suitable for rod tube frames glides

DIMENSIONS



plastic max 40
soft max 15
max 350 kg

plastic max 20
soft max 15

